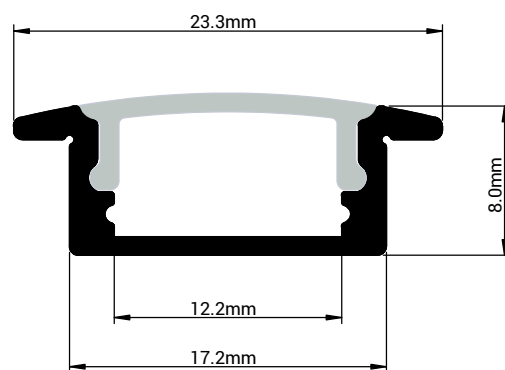




| PROFILE | | | |
|------------------|--------------------------|-----------------|-----------------|
| Part Number | MBL1707R-2M-ALU | MBL1707R-2M-BLK | MBL1707R-2M-WHT |
| Material | Anodized Aluminium | | |
| Dimensions | 23.3mm x 8mm | | |
| Standard Lengths | 1000mm / 2000mm / 3000mm | | |
| Diffuser | PMMA Opal Matt | PMMA Black | |
| Available Finish | Silver / Black / White | | |
| Accessories | End Caps | | |
| Installation | Recessed | | |



Project Name

Type

Qty

Comments