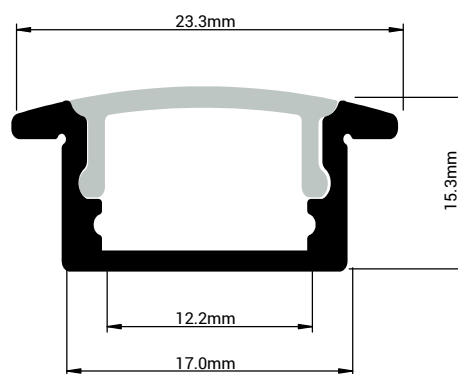




PROFILE			
Part Number	MBL1715R-2M-ALU	MBL1715R-2M-BLK	MBL1715R-2M-WHT
Material	Anodized Aluminium		
Dimensions	23.3mm x 15.3mm		
Standard Lengths	1000mm / 2000mm / 3000mm		
Diffuser	PMMA Opal Matt	PMMA Black	
Available Finish	Silver / Black / White		
Accessories	End Caps		
Installation	Recessed		



Project Name	Type	Qty
Comments		