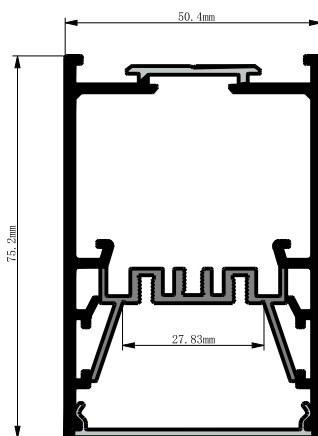
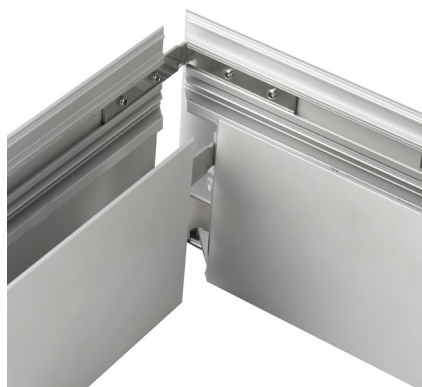


PROFILE			
Part Number	MBL5075-3M-ALU	MBL5075-3M-BLK	MBL5075-3M-WHT
Material	Anodized Aluminium		
Dimensions	50.4mm x 75.2mm		
Standard Lengths	3000mm (Custom Lengths Available)		
Diffuser	PMMA Opal Matt	PMMA Black (Custom Ordered)	
Available Finish	Silver / Black / White		
Accessories	End Caps / Mounting Clips		
Installation	Surface Mounting / Suspended		



Project Name	Type	Qty
Comments		