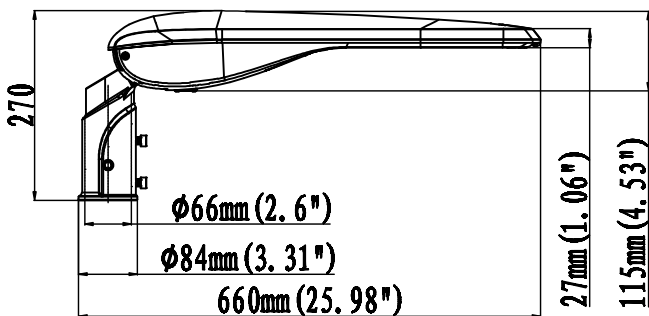




Photocell Control
 ON/OFF automatically according
 to day light.

Model No. MBL-SL-SEN

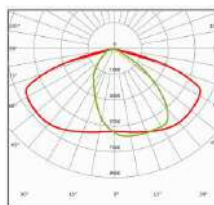


Electical Information	
Model No.	MBL-SLXXW-BLK-4K
Power Consumption (±5%)	120Watt / 150Watt
Power Supply	Sosen
Power Factor	>0.92
Surge Protection	6kV line-line, 10kV line-earth
Driver Type	Constant Current
Control	Dali Control / Photocell
	Timer Control / Solar Optional

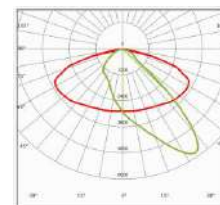
Optic Information	
LED Type	3030 LED
Luminous Flux (±10%)	15,600lm / 19,500lm
Efficacy (5000K Ra70)	130lm/w
Correlated Colour Temp	4000K (3000K, 5000K Optional)
Colour Rendering Index	>70
Beam Angle	R17601, R17602, R17603
UGR Level	N/A

Dimensions and Mount	
Dimensions	660x352x115mm (Pole Mount) - 9kg-9.2kg
Mounting Option	Pole Mounting / Wall Mounting 64mm Spigot
Material	Aluminum Alloy, Tempered Glass & Polycarbonate Optical Lens
Finish	Powder Coating
Fixture Colour	Black
IK Rating	IK08
IP Rating	IP66

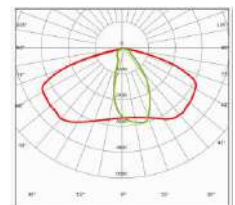
Lifespan and Warranty	
Operation Temperature	-30°C ~ +50°C
Life Time of LED @ Ta=25 °C	49,000 hrs-L90
	110,000 hrs-L80
Warranty	5 Year



R17601



R17602



R17603

Project Name	Type	Qty
Comments		