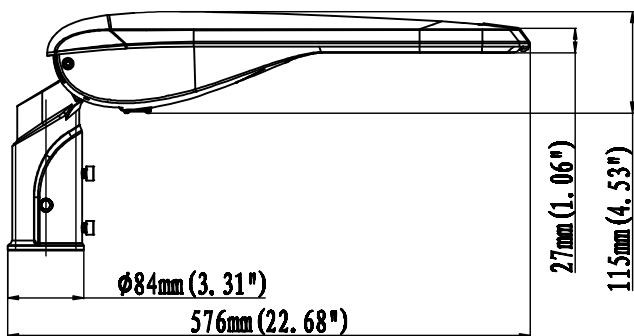




Photocell Control
ON/OFF automatically according
to day light.

Model No. MBL-SL-SEN

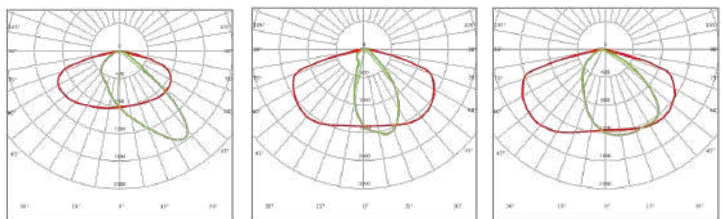


Electical Information	
Model No.	MBL-SLXXW-BLK-4K
Power Consumption ($\pm 5\%$)	30Watt / 50Watt / 70Watt / 90Watt
Power Supply	Sosen
Power Factor	>0.92
Surge Protection	6kV line-line, 10kV line-earth
Driver Type	Constant Current
Control	Dali Control / Photocell
	Timer Control / Solar Optional

Optic Information	
LED Type	3030 LED
Luminous Flux ($\pm 10\%$)	4050lm / 6750lm / 9450lm / 11,700lm
Efficacy (5000K Ra70)	135lm/w
Correlated Colour Temp	4000K (3000K, 5000K Optional)
Colour Rendering Index	>70
Beam Angle	R09601, R09602, R09603
UGR Level	N/A

Dimensions and Mount	
Dimensions & Weight	576x282x160mm (Pole Mount) - 6.5kg-6.8kg
Mounting Option	Pole Mounting / Wall Mounting 64mm Spigot
Material	Aluminum Alloy, Tempered Glass & Polycarbonate Optical Lens
Finish	Powder Coating
Fixture Colour	Black
IK Rating	IK08
IP Rating	IP66

Lifespan and Warranty	
Operation Temperature	-30°C ~ +50°C
Life Time of LED @ Ta=25 °C	67,000 hrs-L90
	146,000 hrs-L80
Warranty	5 Year



R09601

R09602

R09603

Project Name

Type

Qty

Comments