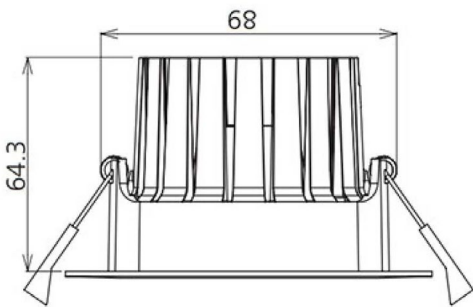


8Watt Gimbal Downlight



Part Number	MBL-DLG8W-WHT-3K	MBL-DLG8W-WHT-4K
Wattage	8 Watt	
Voltage	240 Volt	
Colour Temp	3000K	4000K
Lumens	768lm	772lm
CRI	>82	
IP Rating	IP65	
Dimming	Phase Dim, Dali & 0-10V	
Trim	White/Black	
Dimension	110mm Face Dia x 64.3mm (H)	
Beam Angle	60° (30° Gimbal)	
Cutout	90mm	
Warranty	5 Years	

10Watt Gimbal Downlight



Part Number	MBL-DLG10W-WHT-3K	MBL-DLG10W-WHT-4K
Wattage	10 Watt	
Voltage	240 Volt	
Colour Temp	3000K	4000K
Lumens	874lm	898lm
CRI	>82	
IP Rating	IP65	
Dimming	Phase Dim, Dali & 0-10V	
Trim	White/Black	
Dimension	110mm Face Dia x 64.3mm (H)	
Beam Angle	60° (30° Gimbal)	
Cutout	90mm	
Warranty	5 Years	

Project Name

Type

Qty

Comments